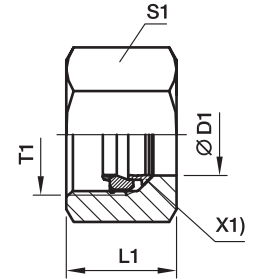


FM EO2-Functional nut

for steel tubes



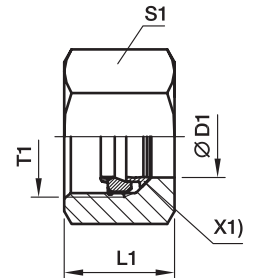
X1) Retaining ring

Series	D1 	T1	L1	S1	Order code								Weight g/1 piece
					FM...CF Steel, zinc plated Cr6 free passiv. +Sealing		FM...VITCF Steel, zinc plated Cr6 free passiv. +Sealing		FM...A3C Steel, zinc yellow plated A3C		FM...VITA3C Steel, zinc yellow plated A3C		
					Sealing NBR	PN (bar)	Sealing FKM	PN (bar)	Sealing NBR	PN (bar)	Sealing FKM	PN (bar)	
LL	04	M8×1	11.0	10	—	—	—	—	FM04LLA3C	100	—	—	5
	06	M10×1	11.5	12	—	—	—	—	FM06LLA3C	100	—	—	6
L	06	M12×1.5	14.5	14	FM06LCF	500	FM06LVITCF	500	FM06LA3C	315	FM06LVITA3C	315	12
	08	M14×1.5	14.5	17	FM08LCF	500	FM08LVITCF	500	FM08LA3C	315	FM08LVITA3C	315	17
	10	M16×1.5	15.5	19	FM10LCF	500	FM10LVITCF	500	FM10LA3C	315	FM10LVITA3C	315	22
	12	M18×1.5	15.5	22	FM12LCF	400	FM12LVITCF	400	FM12LA3C	315	FM12LVITA3C	315	30
	15	M22×1.5	17.0	27	FM15LCF	400	FM15LVITCF	400	FM15LA3C	315	FM15LVITA3C	315	48
	18	M26×1.5	18.0	32	FM18LCF	400	FM18LVITCF	400	FM18LA3C	315	FM18LVITA3C	315	70
	22	M30×2	20.0	36	FM22LCF	250	FM22LVITCF	250	FM22LA3C	160	FM22LVITA3C	160	94
	28	M36×2	21.0	41	FM28LCF	250	FM28LVITCF	250	FM28LA3C	160	FM28LVITA3C	160	106
	35	M45×2	24.0	50	FM35LCF	250	FM35LVITCF	250	FM35LA3C	160	FM35LVITA3C	160	160
	42	M52×2	24.0	60	FM42LCF	250	FM42LVITCF	250	FM42LA3C	160	FM42LVITA3C	160	244
S	06	M14×1.5	16.5	17	FM06SCF	800	FM06SVITCF	800	FM06SA3C	630	FM06SVITA3C	630	20
	08	M16×1.5	16.5	19	FM08SCF	800	FM08SVITCF	800	FM08SA3C	630	FM08SVITA3C	630	23
	10	M18×1.5	17.5	22	FM10SCF	800	FM10SVITCF	800	FM10SA3C	630	FM10SVITA3C	630	37
	12	M20×1.5	17.5	24	FM12SCF	630	FM12SVITCF	630	FM12SA3C	630	FM12SVITA3C	630	39
	14	M22×1.5	20.5	27	FM14SCF	630	FM14SVITCF	630	FM14SA3C	630	FM14SVITA3C	630	60
	16	M24×1.5	20.5	30	FM16SCF	630	FM16SVITCF	630	FM16SA3C	400	FM16SVITA3C	400	72
	20	M30×2	24.0	36	FM20SCF	420	FM20SVITCF	420	FM20SA3C	400	FM20SVITA3C	400	121
	25	M36×2	27.0	46	FM25SCF	420	FM25SVITCF	420	FM25SA3C	400	FM25SVITA3C	400	221
	30	M42×2	29.0	50	FM30SCF	420	FM30SVITCF	420	FM30SA3C	400	FM30SVITA3C	400	248
	38	M52×2	32.5	60	FM38SCF	420	FM38SVITCF	420	FM38SA3C	315	FM38SVITA3C	315	367

$$\frac{\text{PN (bar)}}{10} = \text{PN (MPa)}$$

FM EO2-Functional nut

for stainless steel tubes



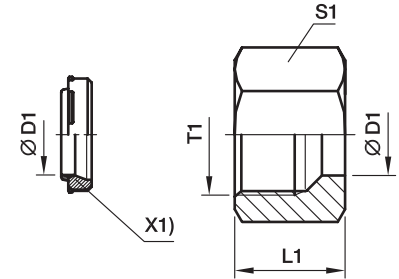
X1) Retaining ring

Series	D1 	T1	L1	S1	Order code								Weight g/1 piece	
					FM...71 Stainless Steel		FM...NBR71 Stainless Steel		FM...SSA Steel, zinc plated Cr6 free passiv. +Sealing, Retaining ring: Stainless Steel		FM...VITSSA Steel, zinc plated Cr6 free passiv. +Sealing, Retaining ring: Stainless Steel			
					Sealing FKM	PN (bar)	Sealing NBR	PN (bar)	Sealing NBR	PN (bar)	Sealing FKM	PN (bar)		
LL	04	M8×1	11.0	10	—	—	—	—	FM04LLASSA	100	—	—	5	
	06	M10×1	11.5	12	—	—	—	—	FM06LLSSA	100	—	—	6	
L	06	M12×1.5	14.5	14	FM06L71	315	FM06LNBR71	315	FM06LSSA	315	FM06LVITSSA	315	12	
	08	M14×1.5	14.5	17	FM08L71	315	FM08LNBR71	315	FM08LSSA	315	FM08LVITSSA	315	17	
	10	M16×1.5	15.5	19	FM10L71	315	FM10LNBR71	315	FM10LSSA	315	FM10LVITSSA	315	22	
	12	M18×1.5	15.5	22	FM12L71	315	FM12LNBR71	315	FM12LSSA	315	FM12LVITSSA	315	30	
	15	M22×1.5	17.0	27	FM15L71	315	FM15LNBR71	315	FM15LSSA	315	FM15LVITSSA	315	48	
	18	M26×1.5	18.0	32	FM18L71	315	FM18LNBR71	315	FM18LSSA	315	FM18LVITSSA	315	70	
	22	M30×2	20.0	36	FM22L71	160	FM22LNBR71	160	FM22LSSA	160	FM22LVITSSA	160	94	
	28	M36×2	21.0	41	FM28L71	160	FM28LNBR71	160	FM28LSSA	160	FM28LVITSSA	160	106	
	35	M45×2	24.0	50	FM35L71	160	FM35LNBR71	160	FM35LSSA	160	FM35LVITSSA	160	160	
	42	M52×2	24.0	60	FM42L71	160	FM42LNBR71	160	FM42LSSA	160	FM42LVITSSA	160	244	
	S	06	M14×1.5	16.5	17	FM06S71	630	FM06SNBR71	630	FM06SSSA	630	FM06SVITSSA	630	20
		08	M16×1.5	16.5	19	FM08S71	630	FM08SNBR71	630	FM08SSSA	630	FM08SVITSSA	630	23
10		M18×1.5	17.5	22	FM10S71	630	FM10SNBR71	630	FM10SSSA	630	FM10SVITSSA	630	37	
12		M20×1.5	17.5	24	FM12S71	630	FM12SNBR71	630	FM12SSSA	630	FM12SVITSSA	630	39	
14		M22×1.5	20.5	27	FM14S71	630	FM14SNBR71	630	FM14SSSA	630	FM14SVITSSA	630	60	
16		M24×1.5	20.5	30	FM16S71	400	FM16SNBR71	400	FM16SSSA	400	FM16SVITSSA	400	72	
20		M30×2	24.0	36	FM20S71	400	FM20SNBR71	400	FM20SSSA	400	FM20SVITSSA	400	121	
25		M36×2	27.0	46	FM25S71	400	FM25SNBR71	400	FM25SSSA	400	FM25SVITSSA	400	221	
30		M42×2	29.0	50	FM30S71	400	FM30SNBR71	400	FM30SSSA	400	FM30SVITSSA	400	248	
38		M52×2	32.5	60	FM38S71	315	FM38SNBR71	315	FM38SSSA	315	FM38SVITSSA	315	367	

$$\frac{\text{PN (bar)}}{10} = \text{PN (MPa)}$$

EO2-FORM Set

for steel tubes

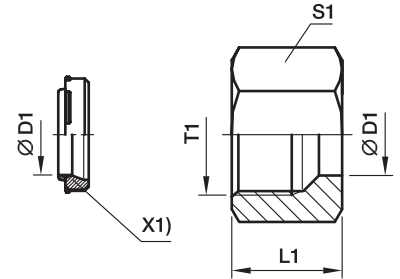


X1) Sealing (DOZ)

Series	D1 	T1	L1	S1	Order code				Weight g/1 piece
					FORM...CF Steel, zinc plated Cr6 free +Seal NBR	FORM...VITCF Steel, zinc plated Cr6 free +Seal FKM	FORM...A3C Steel, zinc yellow plated A3C NBR	FORM...VITA3C Steel, zinc yellow plated A3C FKM	
L	06	M12×1.5	14.5	14	FORM06LCF	FORM06LVITCF	FORM06LA3C	FORM06LVITA3C	11
	08	M14×1.5	14.5	17	FORM08LCF	FORM08LVITCF	FORM08LA3C	FORM08LVITA3C	16
	10	M16×1.5	15.5	19	FORM10LCF	FORM10LVITCF	FORM10LA3C	FORM10LVITA3C	20
	12	M18×1.5	15.5	22	FORM12LCF	FORM12LVITCF	FORM12LA3C	FORM12LVITA3C	27
	15	M22×1.5	17.0	27	FORM15LCF	FORM15LVITCF	FORM15LA3C	FORM15LVITA3C	45
	18	M26×1.5	18.0	32	FORM18LCF	FORM18LVITCF	FORM18LA3C	FORM18LVITA3C	67
	22	M30×2	20.0	36	FORM22LCF	FORM22LVITCF	FORM22LA3C	FORM22LVITA3C	88
	28	M36×2	21.0	41	FORM28LCF	FORM28LVITCF	FORM28LA3C	FORM28LVITA3C	99
	35	M45×2	24.0	50	FORM35LCF	FORM35LVITCF	FORM35LA3C	FORM35LVITA3C	162
	42	M52×2	24.0	60	FORM42LCF	FORM42LVITCF	FORM42LA3C	FORM42LVITA3C	233
S	06	M14×1.5	16.5	17	FORM06SCF	FORM06SVITCF	FORM06SA3C	FORM06SVITA3C	19
	08	M16×1.5	16.5	19	FORM08SCF	FORM08SVITCF	FORM08SA3C	FORM08SVITA3C	22
	10	M18×1.5	17.5	22	FORM10SCF	FORM10SVITCF	FORM10SA3C	FORM10SVITA3C	34
	12	M20×1.5	17.5	24	FORM12SCF	FORM12SVITCF	FORM12SA3C	FORM12SVITA3C	38
	14	M22×1.5	20.5	27	FORM14SCF	FORM14SVITCF	FORM14SA3C	FORM14SVITA3C	57
	16	M24×1.5	20.5	30	FORM16SCF	FORM16SVITCF	FORM16SA3C	FORM16SVITA3C	71
	20	M30×2	24.0	36	FORM20SCF	FORM20SVITCF	FORM20SA3C	FORM20SVITA3C	115
	25	M36×2	27.0	46	FORM25SCF	FORM25SVITCF	FORM25SA3C	FORM25SVITA3C	216
	30	M42×2	29.0	50	FORM30SCF	FORM30SVITCF	FORM30SA3C	FORM30SVITA3C	242
	38	M52×2	32.5	60	FORM38SCF	FORM38SVITCF	FORM38SA3C	FORM38SVITA3C	366

EO2-FORM Set

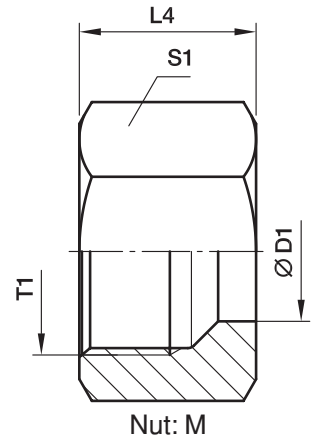
for stainless steel tubes



X1) Sealing (DOZ)

Series	D1 	T1	L1	S1	Order code				Weight g/1 piece
					FORM...71 Stainless Steel Sealing FKM	FORM...NBR71 Stainless Steel Sealing NBR	FORM...CF Steel, zinc plated Cr6 free +Seal NBR	FORM...VITCF Steel, zinc Cr6 free +Seal FKM	
L	06	M12×1.5	14.5	14	FORM06L71	FORM06LNBR71	FORM06LCF	FORM06LVITCF	11
	08	M14×1.5	14.5	17	FORM08L71	FORM08LNBR71	FORM08LCF	FORM08LVITCF	16
	10	M16×1.5	15.5	19	FORM10L71	FORM10LNBR71	FORM10LCF	FORM10LVITCF	21
	12	M18×1.5	15.5	22	FORM12L71	FORM12LNBR71	FORM12LCF	FORM12LVITCF	27
	15	M22×1.5	17.0	27	FORM15L71	FORM15LNBR71	FORM15LCF	FORM15LVITCF	46
	18	M26×1.5	18.0	32	FORM18L71	FORM18LNBR71	FORM18LCF	FORM18LVITCF	68
	22	M30×2	20.0	36	FORM22L71	FORM22LNBR71	FORM22LCF	FORM22LVITCF	89
	28	M36×2	21.0	41	FORM28L71	FORM28LNBR71	FORM28LCF	FORM28LVITCF	101
	35	M45×2	24.0	50	FORM35L71	FORM35LNBR71	FORM35LCF	FORM35LVITCF	165
	42	M52×2	24.0	60	FORM42L71	FORM42LNBR71	FORM42LCF	FORM42LVITCF	237
S	06	M14×1.5	16.5	17	FORM06S71	FORM06SNBR71	FORM06SCF	FORM06SVITCF	19
	08	M16×1.5	16.5	19	FORM08S71	FORM08SNBR71	FORM08SCF	FORM08SVITCF	22
	10	M18×1.5	17.5	22	FORM10S71	FORM10SNBR71	FORM10SCF	FORM10SVITCF	35
	12	M20×1.5	17.5	24	FORM12S71	FORM12SNBR71	FORM12SCF	FORM12SVITCF	39
	14	M22×1.5	20.5	27	FORM14S71	FORM14SNBR71	FORM14SCF	FORM14SVITCF	58
	16	M24×1.5	20.5	30	FORM16S71	FORM16SNBR71	FORM16SCF	FORM16SVITCF	71
	20	M30×2	24.0	36	FORM20S71	FORM20SNBR71	FORM20SCF	FORM20SVITCF	117
	25	M36×2	27.0	46	FORM25S71	FORM25SNBR71	FORM25SCF	FORM25SVITCF	219
	30	M42×2	29.0	50	FORM30S71	FORM30SNBR71	FORM30SCF	FORM30SVITCF	246
	38	M52×2	32.5	60	FORM38S71	FORM38SNBR71	FORM38SCF	FORM38SVITCF	372

M Nut · EO 24° Cone end



Nut: M

Series	D1 	T1	L4	S1	Weight g/1 piece	Order code*	PN (bar) ¹⁾			
							CF	A3C	71	MS
LL ²⁾	04	M8×1	11.0	10	4	M04LL	100	100	100	63
	06	M10×1	11.5	12	6	M06LL	100	100	100	63
	08	M12×1	12.0	14	7	M08LL	100	100	100	63
	10	M14×1	12.5	17	11	M10LL	100	100	100	63
	12	M16×1	13.0	19	13	M12LL	100	100	100	63
L ³⁾	06	M12×1.5	14.5	14	10	M06L	500	315	315	200
	08	M14×1.5	14.5	17	15	M08L	500	315	315	200
	10	M16×1.5	15.5	19	18	M10L	500	315	315	200
	12	M18×1.5	15.5	22	25	M12L	400	315	315	200
	15	M22×1.5	17.0	27	42	M15L	400	315	315	200
	18	M26×1.5	18.0	32	62	M18L	400	315	315	200
	22	M30×2	20.0	36	82	M22L	250	160	160	100
	28	M36×2	21.0	41	89	M28L	250	160	160	100
	35	M45×2	24.0	50	137	M35L	250	160	160	100
	42	M52×2	24.0	60	216	M42L	250	160	160	100
S ⁴⁾	06	M14×1.5	16.5	17	17	M06S	800	630	630	400
	08	M16×1.5	16.5	19	20	M08S	800	630	630	400
	10	M18×1.5	17.5	22	31	M10S	800	630	630	400
	12	M20×1.5	17.5	24	34	M12S	630	630	630	400
	14	M22×1.5	20.5	27	53	M14S	630	630	630	400
	16	M24×1.5	20.5	30	66	M16S	630	400	400	250
	20	M30×2	24.0	36	102	M20S	420	400	400	250
	25	M36×2	27.0	46	202	M25S	420	400	400	250
	30	M42×2	29.0	50	219	M30S	420	400	400	250
	38	M52×2	32.5	60	339	M38S	420	315	315	200

¹⁾ Pressure shown = item deliverable

²⁾ LL = very light series; ³⁾ L = light series; ⁴⁾ S = heavy series

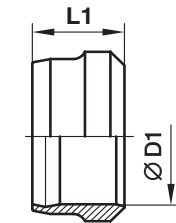
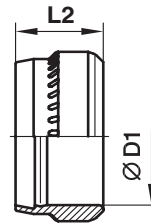
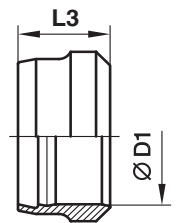
$$\frac{PN \text{ (bar)}}{10} = PN \text{ (MPa)}$$

*Please add the **suffixes** below according to the material/surface required.

Order code suffixes		
Material	Suffix surface and material	Example
Steel, zinc plated, chrome ⁶ -free	CFX	M16SCFX
Steel, zinc yellow plated	A3CX	M16SA3CX
Stainless Steel	EODURX	M16SEODURX
Brass	MSX	M16SMSX

PSR Progressive stop ring · DPR Progressive ring · D Cutting ring

for EO 24° cone end

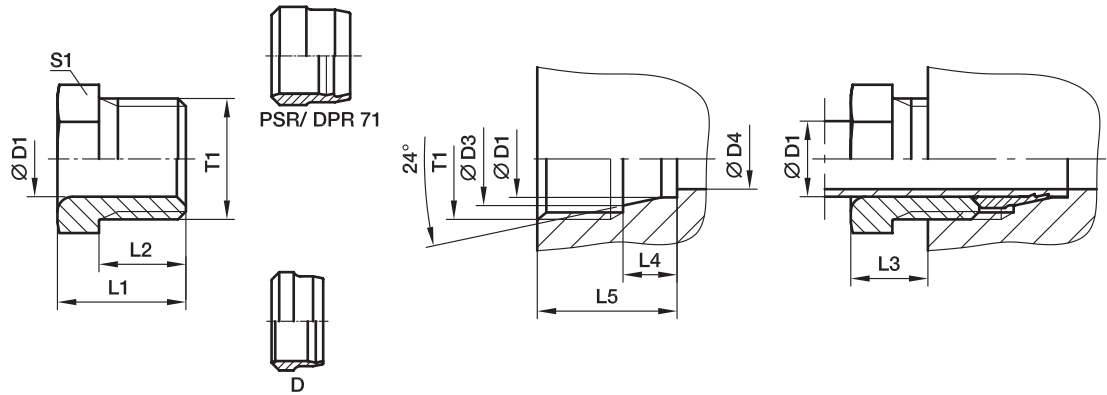

 Cutting ring:
D

 Progressive stop ring:
PSR

 Progressive ring:
DPR

Series	D1	Cutting ring D						Progressive stop ring PSR			Progressive ring DPR			Weight g/1 pc.	
		L1	Order code* Steel, zinc plated Cr6 free		Stainless Steel		Brass	PN (bar)	L2	Order code Steel, zinc plated Cr6 free	PN (bar)	L3	Order code Stainless Steel		PN (bar)
LL	04	6.0	D04LLX	100	D04LL71X	100	D04LLMSX	63	—	—	—	—	—	—	0.3
	06	7.0	D06LLX	100	D06LL71X	100	D06LLMSX	63	—	—	—	—	—	—	0.8
	08	7.0	D08LLX	100	D08LL71X	100	D08LLMSX	63	—	—	—	—	—	—	1.0
	10	7.0	D10LLX	100	D10LL71X	100	D10LLMSX	63	—	—	—	—	—	—	1.3
	12	7.5	D12LLX	100	D12LL71X	100	D12LLMSX	63	—	—	—	—	—	—	1.6
L	06	9.5	—	—	—	—	D06LMSX	200	9.5	PSR06LX	500	9.0	DPR06L71X	315	1.7
	08	9.0	—	—	—	—	D08LMSX	200	9.5	PSR08LX	500	9.0	DPR08L71X	315	2.2
	10	10.0	—	—	—	—	D10LMSX	200	10.0	PSR10LX	500	9.5	DPR10L71X	315	3.1
	12	10.0	—	—	—	—	D12LMSX	200	10.0	PSR12LX	400	9.8	DPR12L71X	315	3.5
	15	10.0	—	—	—	—	D15LMSX	200	10.0	PSR15LX	400	9.5	DPR15L71X	315	4.5
	18	10.0	—	—	—	—	D18LMSX	200	10.0	PSR18LX	400	9.5	DPR18L71X	315	5.5
	22	10.5	—	—	—	—	D22LMSX	100	10.5	PSR22LX	250	10.5	DPR22L71X	160	7.3
	28	10.5	—	—	—	—	D28LMSX	100	10.5	PSR28LX	250	11.0	DPR28L71X	160	9.4
	35	13.0	—	—	—	—	D35LMSX	100	13.0	PSR35LX	250	13.5	DPR35L71X	160	20.0
	42	13.5	—	—	—	—	D42LMSX	100	13.0	PSR42LX	250	13.5	DPR42L71X	160	23.0
S	06	9.5	—	—	—	—	D06SMSX	400	9.5	PSR06SX	800	9.0	DPR06S71X	630	1.7
	08	9.0	—	—	—	—	D08SMSX	400	9.5	PSR08SX	800	9.0	DPR08S71X	630	3.2
	10	10.0	—	—	—	—	D10SMSX	400	10.0	PSR10SX	800	9.5	DPR10S71X	630	3.1
	12	10.0	—	—	—	—	D12SMSX	400	10.0	PSR12SX	630	9.8	DPR12S71X	630	3.5
	14	10.0	—	—	—	—	D14SMSX	400	10.0	PSR14SX	630	9.5	DPR14S71X	630	3.9
	16	10.5	—	—	—	—	D16SMSX	250	10.0	PSR16SX	630	9.5	DPR16S71X	400	5.6
	20	12.5	—	—	—	—	D20SMSX	250	13.0	PSR20SX	420	12.5	DPR20S71X	400	11.4
	25	12.5	—	—	—	—	D25SMSX	250	13.0	PSR25SX	420	12.5	DPR25S71X	400	13.3
	30	13.0	—	—	—	—	D30SMSX	250	13.0	PSR30SX	420	12.5	DPR30S71X	400	19.3
	38	13.5	—	—	—	—	D38SMSX	200	13.0	PSR38SX	420	13.0	DPR38S71X	315	22.5

$$\frac{\text{PN (bar)}}{10} = \text{PN (MPa)}$$

S Sleeve screw

for threaded ports according to DIN 3854



Series	D1 	T1	D3	D4	L1	L2	L3	L4	L5	S1	Weight g/1 piece	Order code*	PN (bar) ¹⁾		
													CF	A3C	71
LL ²⁾	04	M8×1	5.0	3.0	12	8.0	6	4.0	12.5	8	3	S04LL	100	100	100
	06	M10×1	7.5	4.5	13	9.0	7	5.5	14.5	10	4	S06LL	100	100	100
	08	M12×1	9.5	6.0	14	9.5	7	5.5	14.5	12	6	S08LL	100	100	100
L ³⁾	06	M12×1.5	8.1	4.0	16	11.5	10	7.0	18.5	12	9	S06L	315	315	315
	08	M14×1.5	10.1	6.0	16	11.5	10	7.0	18.5	14	11	S08L	315	315	315
	10	M16×1.5	12.3	8.0	17	11.5	10	7.0	18.5	17	15	S10L	315	315	315
	12	M18×1.5	14.3	10.0	18	12.0	10	7.0	19.0	19	19	S12L	315	315	315

¹⁾ Pressure shown = item deliverable

²⁾ LL = very light series; ³⁾ L = light series

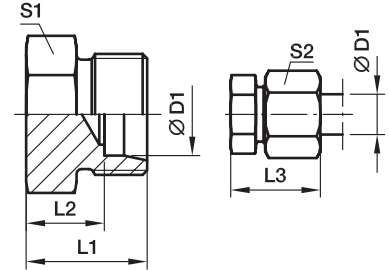
$$\frac{PN \text{ (bar)}}{10} = PN \text{ (MPa)}$$

*Please add the **suffixes** below according to the material/surface required.

Order code suffixes		
Material	Suffix surface and material	Example
Steel, zinc plated, chrome ⁶ -free	CFX	S10LCFX
Steel, zinc yellow plated	A3CX	S10LA3CX
Stainless Steel	71X	S10L71X

ROV Blanking plug for tube ends

EO 24° cone end



Series	D1 	L1	L2	L3	S1	S2	Weight g/1 piece	Order code*	PN (bar) ¹⁾		
									CF	A3C	71
L ³⁾	06	14	7.0	22	12	14	8	ROV06L	315	315	315
	08	15	8.0	23	14	17	13	ROV08L	315	315	315
	10	16	9.0	24	17	19	17	ROV10L	315	315	315
	12	17	10.0	25	19	22	24	ROV12L	315	315	315
	15	18	11.0	26	24	27	41	ROV15L	315	315	315
	18	19	11.5	28	27	32	56	ROV18L	315	315	315
	22	21	13.5	30	32	36	84	ROV22L	160	160	160
	28	22	14.5	31	41	41	138	ROV28L	160	160	160
	35	25	14.5	36	46	50	203	ROV35L	160	160	160
	42	27	16.0	39	55	60	318	ROV42L	160	160	160
S ⁴⁾	06	18	11.0	26	14	17	17	ROV06S	630	630	630
	08	20	13.0	28	17	19	28	ROV08S	630	630	630
	10	20	12.5	29	19	22	33	ROV10S	630	630	630
	12	22	14.5	31	22	24	50	ROV12S	630	630	630
	14	24	16.0	34	24	27	62	ROV14S	630	630	630
	16	24	15.5	34	27	30	75	ROV16S	400	400	400
	20	28	17.5	39	32	36	125	ROV20S	400	400	400
	25	32	20.0	44	41	46	229	ROV25S	400	400	400
	30	34	20.5	47	46	50	310	ROV30S	400	400	400
	38	39	23.0	54	55	60	508	ROV38S	315	315	315

¹⁾ Pressure shown = item deliverable

³⁾ L = light series; ⁴⁾ S = heavy series

$\frac{\text{PN (bar)}}{10} = \text{PN (MPa)}$

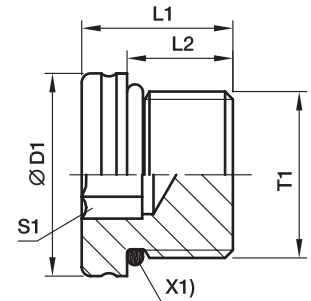
Delivery without nut and ring. Information on ordering complete fittings see page 17.

*Please add the **suffixes** below according to the material/surface required.

Order code suffixes		
Material	Suffix surface and material	Example
Steel, zinc plated, chrome ⁶ -free	CFX	ROV16SCFX
Steel, zinc yellow plated	A3CX	ROV16SA3CX
Stainless Steel	71X	ROV16S71X

VSTI M-OR Blanking plug for ports

Male metric thread – O-ring (ISO 6149)



X1) O-ring OR

T1	D1	L1	L2	S1	Weight g/1 piece	Order code*	PN (bar) ¹⁾	
							CF	A3C
M8×1	12	13.0	9.5	4	6	VSTI8X1OR	630	630
M10×1	13	13.5	9.5	5	8	VSTI10X1OR	630	630
M12×1.5	17	16.0	11.0	6	14	VSTI12X1.5OR	630	630
M14×1.5	19	16.0	11.0	6	20	VSTI14X1.5OR	630	630
M16×1.5	21	17.5	12.5	8	26	VSTI16X1.5OR	630	630
M18×1.5	23	19.0	14.0	8	37	VSTI18X1.5OR	630	630
M22×1.5	27	20.0	15.0	10	58	VSTI22X1.5OR	630	630
M26×1.5	31	21.0	16.0	12	77	VSTI26X1.5OR	400	400
M27×2	32	23.5	18.5	12	95	VSTI27X2OR	400	400
M33×2	38	25.0	18.5	14	148	VSTI33X2OR	400	400
M42×2	48	25.5	19.0	22	233	VSTI42X2OR	400	400
M48×2	55	28.0	21.5	24	336	VSTI48X2OR	400	400

¹⁾ Pressure shown = item deliverable

$$\frac{\text{PN (bar)}}{10} = \text{PN (MPa)}$$

Information on ordering alternative sealing materials see page I7.

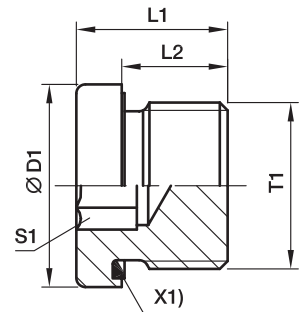
*Please add the **suffixes** below according to the material/surface required.

Order code suffixes			
Material	Suffix surface and material	Example	Standard sealing material (no additional suffix needed)
Steel, zinc plated, chrome ⁶ -free	CF	VSTI18X1.5ORCF	NBR
Steel, zinc yellow plated	A3C	VSTI18X1.5ORA3C	NBR

VSTI M/R-ED Blanking plug for ports

Male metric thread – ED-seal (ISO 9974)

Male BSPP thread – ED-seal (ISO 1179)



X1) Eolastic-sealing ED

Male metric parallel thread T1	Male stud BSP thread T1	D1	L1	L2	S1	Weight g/1 piece	Order code*	Order code*	PN (bar) ¹⁾		
									CF	A3C	71
M 10×1	G 1/8 A	14.0	12.0	8	5	8	VSTI10X1ED	VSTI1/8ED	400	400	400
M 12×1.5		17.0	17.0	12	6	14	VSTI12X1.5ED		400	400	400
M 14×1.5	G 1/4 A	19.0	17.0	12	6	20	VSTI14X1.5ED	VSTI1/4ED	400	400	400
M 16×1.5	G 3/8 A	22.0	17.0	12	8	25	VSTI16X1.5ED	VSTI3/8ED	400	400	400
M 18×1.5		23.9	17.0	12	8	32	VSTI18X1.5ED		400	400	400
M 20×1.5		25.9	19.0	14	10	42	VSTI20X1.5ED		400	400	400
M 22×1.5	G 1/2 A	27.0	19.0	14	10	51	VSTI22X1.5ED	VSTI1/2ED	400	400	400
M 26×1.5		31.9	21.0	16	12	78	VSTI26X1.5ED		400	400	400
M 27×2	G 3/4 A	32.0	21.0	16	12	79	VSTI27X2ED	VSTI3/4ED	400	400	400
M 33×2	G 1 A	39.9	22.5	16	17	130	VSTI33X2ED	VSTI1ED	400	400	400
M 42×2	G 1 1/4 A	49.9	22.5	16	22	198	VSTI42X2ED	VSTI1 1/4ED	315	315	315
M 48×2	G 1 1/2 A	55.0	22.5	16	24	263	VSTI48X2ED	VSTI1 1/2ED	315	315	315

¹⁾ Pressure shown = item deliverable

$$\frac{\text{PN (bar)}}{10} = \text{PN (MPa)}$$

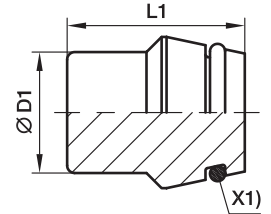
Information on ordering alternative sealing materials see page 17.

*Please add the **suffixes** below according to the material/surface required.

Order code suffixes			
Material	Suffix surface and material	Example	Standard sealing material (no additional suffix needed)
Steel, zinc plated, chrome ⁶ -free	CF	VSTI1/2EDCF	NBR
Steel, zinc yellow plated	A3C	VSTI1/2EDA3C	NBR
Stainless Steel	71	VSTI1/2ED71	VIT

VKA Blanking plug for cones

EO 24° DKO swivel



X1) O-ring OR

Series	D1 	L1	Weight g/1 piece	Order code*	PN (bar) ¹⁾			
					CF	A3C	71	MS
L ³⁾	06	18.5	6	VKA06	500	315	315	200
	08	18.5	9	VKA08	500	315	315	200
	10	20.0	15	VKA10	500	315	315	200
	12	20.5	21	VKA12	400	315	315	200
	15	20.5	32	VKA15	400	315	315	200
	18	22.5	49	VKA18	400	315	315	200
	22	25.0	80	VKA22	250	160	160	100
	28	25.5	131	VKA28	250	160	160	100
	35	30.0	240	VKA35	250	160	160	100
	42	30.0	343	VKA42	250	160	160	100
S ⁴⁾	06	18.5	6	VKA06	800	630	630	400
	08	18.5	9	VKA08	800	630	630	400
	10	20.0	15	VKA10	800	630	630	400
	12	20.5	21	VKA12	630	630	630	400
	14	22.5	30	VKA14	630	630	630	400
	16	23.5	40	VKA16	630	400	400	250
	20	28.5	78	VKA20	420	400	400	250
	25	29.0	120	VKA25	420	400	400	250
	30	30.5	180	VKA30	420	400	400	250
	38	33.0	309	VKA38	420	315	315	200

¹⁾ Pressure shown = item deliverable

³⁾ L = light series; ⁴⁾ S = heavy series

$$\frac{\text{PN (bar)}}{10} = \text{PN (MPa)}$$

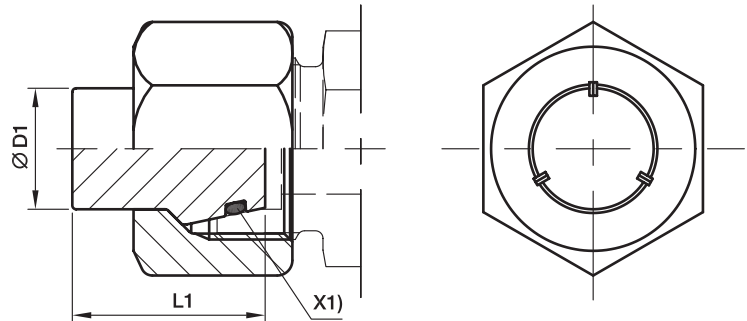
Information on ordering alternative sealing materials see page 17.

Order code suffixes			
Material	Suffix surface and material	Example	Standard sealing material (no additional suffix needed)
Steel, zinc plated, chrome ⁶ -free	CF	VKA16CF	NBR
Steel, zinc yellow plated	A3C	VKA16A3C	NBR
Stainless Steel	71	VKA1671	VIT
Brass	MS	VKA16MS	NBR

*Please add the **suffixes** below according

VKAM Blanking plug with nut for cone

EO 24° DKO swivel



X1) O-ring OR

Series	D1 	L1	Weight g/1 piece	Order code*	PN (bar) ¹⁾		
					CF	A3C	71
L ³⁾	06	18.5	15	VKAM06L	500	315	315
	08	18.5	24	VKAM08L	500	315	315
	10	20.0	33	VKAM10L	500	315	315
	12	20.5	46	VKAM12L	400	315	315
	15	20.5	73	VKAM15L	400	315	315
	18	22.5	111	VKAM18L	400	315	315
	22	25.0	162	VKAM22L	250	160	160
	28	25.5	220	VKAM28L	250	160	160
	35	30.0	376	VKAM35L	250	160	160
	42	30.0	558	VKAM42L	250	160	160
S ⁴⁾	06	18.5	23	VKAM06S	800	630	630
	08	18.5	29	VKAM08S	800	630	630
	10	20.0	46	VKAM10S	800	630	630
	12	20.5	55	VKAM12S	630	630	630
	14	22.5	83	VKAM14S	630	630	630
	16	23.5	106	VKAM16S	630	400	400
	20	28.5	180	VKAM20S	420	400	400
	25	29.0	322	VKAM25S	420	400	400
	30	30.5	398	VKAM30S	420	400	400
	38	33.0	647	VKAM38S	420	315	315

1) Pressure shown = item deliverable

3) L = light series; 4) S = heavy series

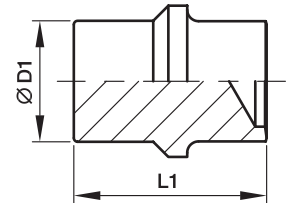
$$\frac{\text{PN (bar)}}{10} = \text{PN (MPa)}$$

Information on ordering alternative sealing materials see page 17.

 *Please add the **suffixes** below according to the material/surface required.

Order code suffixes			
Material	Suffix surface and material	Example	Standard sealing material (no additional suffix needed)
Steel, zinc plated, chrome ⁶ -free	CF	VKAM16SCF	NBR
Steel, zinc yellow plated	A3C	VKAM16SA3C	NBR
Stainless Steel	71	VKAM16S71	VIT

BUZ Blanking plug for cones



Series	D1 	L1	Weight g/1 piece	Order code*	PN (bar) ¹⁾			
					CF	A3C	71	MS
L ³⁾	06	19.5	5	BUZ06L	315	315	315	200
	08	19.5	8	BUZ08L	315	315	315	200
	10	21.0	13	BUZ10L	315	315	315	200
	12	21.8	20	BUZ12L	315	315	315	200
	15	22.0	30	BUZ15L	315	315	315	200
	18	24.0	45	BUZ18L	315	315	315	200
	22	26.0	74	BUZ22L	160	160	160	100
	28	26.5	117	BUZ28L	160	160	160	100
	35	32.0	217	BUZ35L	160	160	160	100
	42	32.5	308	BUZ42L	160	160	160	100
S ⁴⁾	06	19.5	5	BUZ06L	630	630	630	400
	08	19.5	8	BUZ08L	630	630	630	400
	10	21.0	13	BUZ10L	630	630	630	400
	12	21.8	20	BUZ12L	630	630	630	400
	14	23.5	28	BUZ14S	630	630	630	400
	16	25.5	39	BUZ16S	400	400	400	250
	20	30.5	73	BUZ20S	400	400	400	250
	25	32.5	119	BUZ25S	400	400	400	250
	30	35.5	181	BUZ30S	400	400	400	250
	38	40.0	325	BUZ38S	315	315	315	200

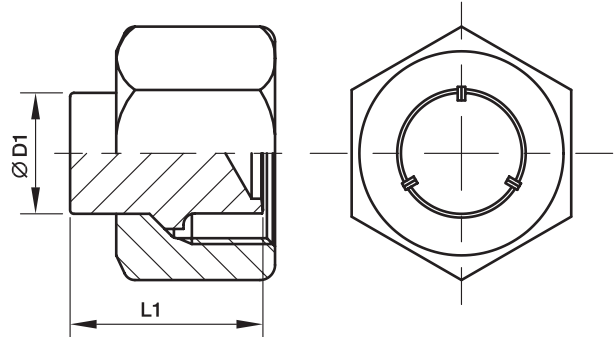
¹⁾ Pressure shown = item deliverable

³⁾ L = light series; ⁴⁾ S = heavy series

$\frac{\text{PN (bar)}}{10} = \text{PN (MPa)}$

*Please add the **suffixes** below according to the material/surface required.

Order code suffixes		
Material	Suffix surface and material	Example
Steel, zinc plated, chrome ⁶ -free	CFX	BUZ16SCFX
Steel, zinc yellow plated	A3CX	BUZ16SA3CX
Stainless Steel	71X	BUZ16S71X
Brass	MSX	BUZ16SMSX

BUZM Blanking plug with nut for cones


Series	D1 	L1	Weight g/1 piece	Order code*	PN (bar) ¹⁾		
					CF	A3C	71
L ³⁾	06	19.5	15	BUZM06L	315	315	315
	08	19.5	23	BUZM08L	315	315	315
	10	21.0	31	BUZM10L	315	315	315
	12	21.8	45	BUZM12L	315	315	315
	15	22.0	71	BUZM15L	315	315	315
	18	24.0	107	BUZM18L	315	315	315
	22	26.0	156	BUZM22L	160	160	160
	28	26.5	206	BUZM28L	160	160	160
	35	32.0	354	BUZM35L	160	160	160
	42	32.5	524	BUZM42L	160	160	160
S ⁴⁾	06	19.5	23	BUZM06S	630	630	630
	08	19.5	28	BUZM08S	630	630	630
	10	21.0	44	BUZM10S	630	630	630
	12	21.8	54	BUZM12S	630	630	630
	14	23.5	81	BUZM14S	630	630	630
	16	25.5	105	BUZM16S	400	400	400
	20	30.5	176	BUZM20S	400	400	400
	25	32.5	321	BUZM25S	400	400	400
	30	35.5	399	BUZM30S	400	400	400
	38	40.0	664	BUZM38S	315	315	315

¹⁾ Pressure shown = item deliverable

³⁾ L = light series; ⁴⁾ S = heavy series

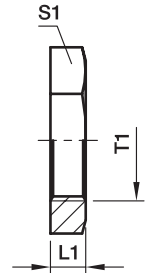
$$\frac{\text{PN (bar)}}{10} = \text{PN (MPa)}$$

*Please add the **suffixes** below according to the material/surface required.

Order code suffixes		
Material	Suffix surface and material	Example
Steel, zinc plated, chrome ⁶ -free	CF	BUZM16SCF
Steel, zinc yellow plated	A3C	BUZM16SA3C
Stainless Steel	71	BUZM16S71

GM Locknut for bulk heads

For bulkhead SV and WSV

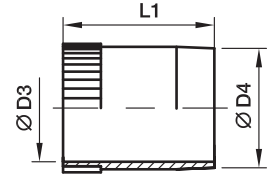


Series	Tube O.D.	T1	L1	S1	Weight g/1 piece	Order code			
						Steel CF	Steel A3C	Stainless Steel 71	Brass MS
L ³⁾	06	M 12×1.5	6	17	7	GM06LCFX	GM06LA3CX	GM06L71X	GM06LMSX
	08	M 14×1.5	6	19	8	GM08LCFX	GM08LA3CX	GM08L71X	GM08LMSX
	10	M 16×1.5	6	22	11	GM10LCFX	GM10LA3CX	GM10L71X	GM10LMSX
	12	M 18×1.5	6	24	12	GM12LCFX	GM12LA3CX	GM12L71X	GM12LMSX
	15	M 22×1.5	7	30	23	GM15LCFX	GM15LA3CX	GM15L71X	GM15LMSX
	18	M 26×1.5	8	36	37	GM18LCFX	GM18LA3CX	GM18L71X	GM18LMSX
	22	M 30×2	8	41	46	GM22LCFX	GM22LA3CX	GM22L71X	GM22LMSX
	28	M 36×2	9	46	58	GM28LCFX	GM28LA3CX	GM28L71X	GM28LMSX
	35	M 45×2	9	55	71	GM35LCFX	GM35LA3CX	GM35L71X	GM35LMSX
	42	M 52×2	10	65	123	GM42LCFX	GM42LA3CX	GM42L71X	GM42LMSX
S ⁴⁾	06	M 14×1.5	6	19	8	GM08LCFX	GM08LA3CX	GM08L71X	GM06LMSX
	08	M 16×1.5	6	22	11	GM10LCFX	GM10LA3CX	GM10L71X	GM10LMSX
	10	M 18×1.5	6	24	12	GM12LCFX	GM12LA3CX	GM12L71X	GM12LMSX
	12	M 20×1.5	6	27	15	GM12SCFX	GM12SA3CX	GM12S71X	GM12SMSX
	14	M 22×1.5	7	30	23	GM15LCFX	GM15LA3CX	GM15L71X	GM15LMSX
	16	M 24×1.5	7	32	24	GM16SCFX	GM16SA3CX	GM16S71X	GM16SMSX
	20	M 30×2	8	41	46	GM22LCFX	GM22LA3CX	GM22L71X	GM22LMSX
	25	M 36×2	9	46	58	GM28LCFX	GM28LA3CX	GM28L71X	GM28LMSX
	30	M 42×2	9	50	58	GM30SCFX	GM30SA3CX	GM30S71X	GM30SMSX
	38	M 52×2	10	65	123	GM42LCFX	GM42LA3CX	GM42L71X	GM42LMSX

³⁾ L = light series; ⁴⁾ S = heavy series

VH Support sleeve

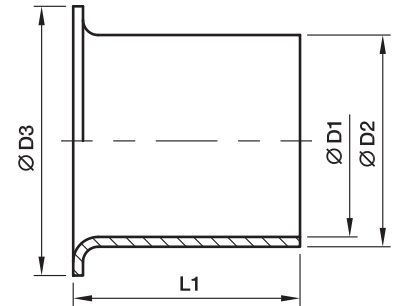
for thin-walled metal tubing



Tube I.D.	D3	D4	L1	Weight g/1 piece	Order code		
					Steel CF	Stainless Steel 71	Brass MS
4.0	2.6	3.8	14.0	0.7	VH04CFX	VH0471X	VH04MSX
4.5	3.1	4.3	14.0	0.8	VH04.5CFX	VH04.571X	VH04.5MSX
5.0	3.6	4.8	14.0	0.8	VH05CFX	VH0571X	VH05MSX
6.0	4.6	5.8	14.0	1.0	VH06CFX	VH0671X	VH06MSX
6.5	5.1	6.3	14.0	1.0	VH06.5CFX	VH06.571X	VH06.5MSX
7.0	5.6	6.8	15.5	1.3	VH07CFX	VH0771X	VH07MSX
8.0	6.6	7.8	15.5	1.6	VH08CFX	VH0871X	VH08MSX
9.0	7.6	8.8	15.5	1.8	VH09CFX	VH0971X	VH09MSX
10.0	8.6	9.8	15.5	2.1	VH10CFX	VH1071X	VH10MSX
10.5	9.1	10.3	15.5	2.3	VH10.5CFX	VH10.571X	VH10.5MSX
11.0	9.6	10.8	15.5	2.6	VH11CFX	VH1171X	VH11MSX
12.0	10.2	11.8	17.0	3.7	VH12CFX	VH1271X	VH12MSX
13.0	11.2	12.8	17.0	3.9	VH13CFX	VH1371X	VH13MSX
14.0	12.2	13.8	17.0	4.3	VH14CFX	VH1471X	VH14MSX
15.0	13.2	14.8	20.0	5.7	VH15CFX	VH1571X	VH15MSX
16.0	14.2	15.8	20.0	5.8	VH16CFX	VH1671X	VH16MSX
17.0	15.2	16.8	20.0	6.3	VH17CFX	VH1771X	VH17MSX
18.0	16.2	17.8	20.0	6.3	VH18CFX	VH1871X	VH18MSX
19.0	17.2	18.8	16.0	5.8	VH19CFX	VH1971X	VH19MSX
20.0	18.2	19.8	21.5	7.9	VH20CFX	VH2071X	VH20MSX
21.0	19.2	20.8	21.5	8.0	VH21CFX	VH2171X	VH21MSX
22.0	20.2	21.8	23.5	9.7	VH22CFX	VH2271X	VH22MSX
23.0	21.2	22.8	23.5	10.6	VH23CFX	VH2371X	VH23MSX
24.0	22.2	23.8	23.5	11.1	VH24CFX	VH2471CX	VH24MSX
25.0	23.2	24.8	23.5	10.8	VH25CFX	VH2571X	VH25MSX
26.0	24.2	25.8	23.5	12.7	VH26CFX	VH2671X	VH26MSX
27.0	25.2	26.8	23.5	12.2	VH27CFX	VH2771X	VH27MSX
30.0	27.8	29.8	26.5	18.7	VH30CFX	VH3071X	VH30MSX
31.0	28.8	30.8	26.5	20.7	VH31CFX	VH3171X	VH31MSX
32.0	29.8	31.8	26.5	19.2	VH32CFX	VH3271X	VH32MSX
33.0	30.8	32.8	26.5	19.9	VH33CFX	VH3371X	VH33MSX
34.0	31.8	33.8	26.5	26.5	VH34CFX	VH3471X	VH34MSX
38.0	35.8	37.8	21.0	19.7	VH38CFX	VH3871X	VH38MSX
39.0	36.8	38.8	21.0	19.5	VH39CFX	VH3971X	VH39MSX

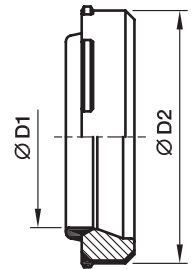
E Tube/hose insert

for plastic tubing



Tube O.D.	Tube I.D.	D1	D2	D3	L1	Weight g/1 piece	Order code Brass
04	2.0	1.3	2.0	3.5	8	1	E04/02X
04	2.5	1.7	2.5	4.0	8	1	E04/2.5X
05	3.0	2.2	3.0	5.0	14	1	E0506/03X
06	3.0	2.2	3.0	5.0	14	1	E0506/03X
05	4.0	3.2	4.0	5.0	14	1	E0506/04X
06	4.0	3.2	4.0	5.0	14	1	E0506/04X
08	4.0	3.2	4.0	6.6	14	1	E08/04X
06	5.0	4.0	5.0	6.0	14	1	E06/05X
08	5.0	4.0	5.0	6.0	14	1	E08/05X
10	6.0	5.0	6.0	8.0	15	1	E0810/06X
08	6.0	5.0	6.0	8.0	15	1	E0810/06X
10	8.0	6.7	8.0	10.0	15	1	E10/08X
12	8.0	6.7	8.0	12.0	15	2	E12/08X
12	9.0	7.7	9.0	12.0	15	2	E12/09X
12	10.0	8.7	10.0	12.0	15	2	E1215/10X
15	12.0	10.7	12.0	14.8	15	3	E15/12X
15	12.5	11.2	12.5	14.8	15	3	E1516/12.5X
16	12.5	11.2	12.5	14.8	15	3	E1516/12.5X
18	14.0	12.7	14.0	17.8	15	4	E18/14X
18	16.0	14.7	16.0	17.8	20	4	E1820/16X
20	16.0	14.7	16.0	17.8	20	4	E1820/16X
22	18.0	16.7	18.0	21.8	16	5	E22/18X

DOZ EO-2 Soft sealing ring



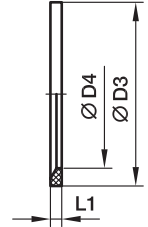
Assembl direction:
Sealing lip shows to the tube end

Series	D1 	D2	Weight g/1 piece	Order code			
				Steel NBR	Steel FKM	Stainless Steel FKM	Stainless Steel NBR
LL ²⁾	04	6.8	1	DOZ04LL	—	—	—
	06	8.8	1	DOZ06LL	—	—	—
L ³⁾	06	10.3	1	DOZ06L	DOZ06LVIT	DOZ06L71	DOZ06LNBR71
	08	12.3	1	DOZ08L	DOZ08LVIT	DOZ08L71	DOZ08LNBR71
	10	14.3	2	DOZ10L	DOZ10LVIT	DOZ10L71	DOZ10LNBR71
	12	16.3	2	DOZ12L	DOZ12LVIT	DOZ12L71	DOZ12LNBR71
	15	20.3	3	DOZ15L	DOZ15LVIT	DOZ15L71	DOZ15LNBR71
	18	24.3	5	DOZ18L	DOZ18LVIT	DOZ18L71	DOZ18LNBR71
	22	27.7	6	DOZ22L	DOZ22LVIT	DOZ22L71	DOZ22LNBR71
	28	33.7	7	DOZ28L	DOZ28LVIT	DOZ28L71	DOZ28LNBR71
	35	42.7	14	DOZ35L	DOZ35LVIT	DOZ35L71	DOZ35LNBR71
	42	49.7	17	DOZ42L	DOZ42LVIT	DOZ42L71	DOZ42LNBR71
S ⁴⁾	06	12.3	2	DOZ06S	DOZ06SVIT	DOZ06S71	DOZ06SNBR71
	08	14.3	2	DOZ08S	DOZ08SVIT	DOZ08S71	DOZ08SNBR71
	10	16.3	3	DOZ10S	DOZ10SVIT	DOZ10S71	DOZ10SNBR71
	12	18.3	4	DOZ12S	DOZ12SVIT	DOZ12S71	DOZ12SNBR71
	14	20.3	4	DOZ14S	DOZ14SVIT	DOZ14S71	DOZ14SNBR71
	16	22.3	5	DOZ16S	DOZ16SVIT	DOZ16S71	DOZ16SNBR71
	20	27.7	9	DOZ20S	DOZ20SVIT	DOZ20S71	DOZ20SNBR71
	25	33.7	13	DOZ25S	DOZ25SVIT	DOZ25S71	DOZ25SNBR71
	30	39.7	18	DOZ30S	DOZ30SVIT	DOZ30S71	DOZ30SNBR71
	38	49.7	27	DOZ38S	DOZ38SVIT	DOZ38S71	DOZ38SNBR71

²⁾ LL = very light series; ³⁾ L = light series; ⁴⁾ S = heavy series

ED Eolastic soft seal (for BSPP and metric parallel threads)

For Type: GE...ED, EGE...ED, EVGE...ED, EW...ED, EV...ED, ET...ED, EL...ED, VSTI...ED, RI...ED

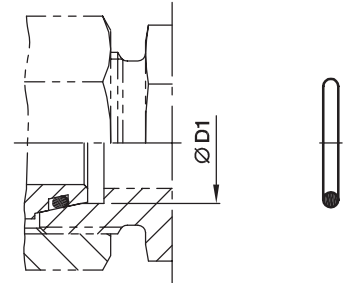


Male stud metric thread T1	Male stud BSP thread T1	D3	D4	L1	Weight g/1 piece	Order code NBR	Order code FKM
M 8×1		9.9	6.5	1.0	0.1	ED8X1X	ED8X1VITX
M 10×1	G 1/8 A	11.9	8.4	1.0	0.1	ED10X1X	ED10X1VITX
M 12×1.5		14.4	9.8	1.5	0.2	ED12X1.5X	ED12X1.5VITX
M 14×1.5	G 1/4 A	16.5	11.6	1.5	0.2	ED14X1.5X	ED14X1.5VITX
M 16×1.5		18.9	13.8	1.5	0.1	ED16X1.5X	ED16X1.5VITX
	G 3/8 A	18.9	14.7	1.5	0.2	ED3/8X	ED3/8VITX
M 18×1.5		20.9	15.7	1.5	0.1	ED18X1.5X	ED18X1.5VITX
M 20×1.5		22.9	17.8	1.5	0.2	ED20X1.5X	ED20X1.5VITX
	G 1/2 A	23.9	18.5	1.5	0.3	ED1/2X	ED1/2VITX
M 22×1.5		24.3	19.6	1.5	0.2	ED22X1.5X	ED22X1.5VITX
M 26×1.5	G 3/4 A	29.2	23.9	1.5	0.4	ED26X1.5X	ED26X1.5VITX
M 27×2	G 3/4 A	29.2	23.9	1.5	0.4	ED26X1.5X	ED26X1.5VITX
M 33×2	G 1 A	35.7	29.7	2.0	0.7	ED33X2X	ED33X2VITX
M 42×2	G 1 1/4 A	45.8	38.8	2.0	0.9	ED42X2X	ED42X2VITX
M 48×2	G 1 1/2 A	50.7	44.7	2.0	1.0	ED48X2X	ED48X2VITX

OR O-Ring for fittings with EO 24° DKO swivel

For Type:

DA, EGE, EGEO, MAVE, EW, EV, ET, EL, RED, GZ, GZR, VKA, VKAM

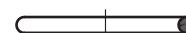
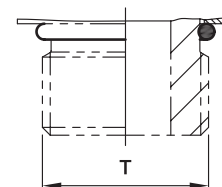


Series	D1 	O-ring NBR Shore-hardness approx. 90	O-ring FKM Shore-hardness approx. 90
L ³⁾	6	OR4.5X1.5X	OR4.5X1.5VITX
	8	OR6.5X1.5X	OR6.5X1.5VITX
	10	OR8.5X1.5X	OR8X1.5VITX
	12	OR10.5X1.5X	OR10X1.5VITX
	15	OR12.5X1.5X	OR12X2VITX
	18	OR16X2X	OR15X2VITX
	22	OR20X2X	OR20X2VITX
	28	OR26X2X	OR26X2VITX
	35	OR32X2.5X	OR32X2.5VITX
	42	OR39X2.5X	OR38X2.5VITX
S ⁴⁾	6	OR4.5X1.5X	OR4.5X1.5VITX
	8	OR6.5X1.5X	OR6.5X1.5VITX
	10	OR8.5X1.5X	OR8X1.5VITX
	12	OR10.5X1.5X	OR10X1.5VITX
	14	OR12X2X	OR11X2VITX
	16	OR14X2X	OR13X2VITX
	20	OR17X2.5X	OR16.3X2.4VITX
	25	OR22X2.5X	OR20.3X2.4VITX
	30	OR27X2.5X	OR25.3X2.4VITX
	38	OR35X2.5X	OR33.3X2.4VITX

³⁾ L = light series; ⁴⁾ S = heavy series

OR O-rings for male stud ends

Male metric thread – O-ring (ISO 6149)
 Male UN/UNF thread – O-ring (ISO 11926)



Types with metric thread: WEE-OR, TEE-OR, LEE-OR, VEE-OR, VSTI-OR, GEO, EGEO

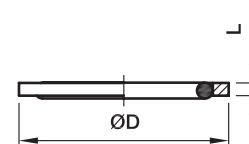
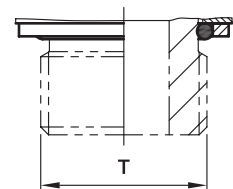
Thread T	O-ring NBR	O-ring FKM
M8 × 1	OR6.1X1.6	OR6.1X1.6VITX
M10 × 1	OR8.1X1.6	OR8.1X1.6VITX
M12 × 1.5	OR9.3X2.2	OR9.3X2.2VITX
M14 × 1.5	OR11.3X2.2	OR11.3X2.2VITX
M16 × 1.5	OR13.3X2.2	OR13.3X2.2VITX
M18 × 1.5	OR15.3X2.2	OR15.3X2.2VITX
M22 × 1.5	OR19.3X2.2	OR19.3X2.2VITX
M27 × 2	OR23.6X2.9	OR23.6X2.9VITX
M33 × 2	OR29.6X2.9	OR29.6X2.9VITX
M42 × 2	OR38.6X2.9	OR38.6X2.9VITX
M48 × 2	OR44.6X2.9	OR44.6X2.9VITX

Types with UN/UNF thread:
 WEE-UNF, TEE-UNF, LEE-UNF, VEE-UNF, GE-UNF

Thread T	O-ring NBR	O-ring FKM
7/16-20 UNF	OR8.92X1.83	OR8.92X1.83VITX
9/16-18 UNF	OR11.89X1.98	OR11.89X1.98VITX
3/4-16 UNF	OR16.36X2.21	OR16.36X2.21VITX
7/8-14 UNF	OR19.18X2.46	OR19.18X2.46VITX
1 1/16-12 UN	OR23.47X2.95	OR23.47X2.95VITX
1 5/16-12 UN	OR29.74X2.95	OR29.74X2.95VITX
1 5/8-12 UN	OR37.46X3	OR37.46X3VITX
1 7/8-12 UN	OR43.69X3	OR43.69X3VITX

OR O-rings and retaining rings for steel male stud ends

Adjustable metric thread – O-ring + retaining ring
 Adjustable BSPP thread – O-ring + retaining ring (ISO 1179)



Types with metric thread: WEE-M, TEE-M, LEE-M, VEE-M

Thread T	O-ring NBR	O-ring FKM	D	L	Order code Retaining ring	
					CF	A3C
M10 × 1	OR8X1.88X	OR8X1.88VITX	14.8	1.4	RRSM10CF	RRSM10A3C
M12 × 1.5	OR9.3X2.2X	OR9.3X2.2VITX	17.8	1.6	RRSM12CF	RRSM12A3C
M14 × 1.5	OR11.3X2.2X	OR11.3X2.2VITX	19.8	1.6	RRSM14CF	RRSM14A3C
M16 × 1.5	OR13.3X2.2X	OR13.3X2.2VITX	22.8	1.6	RRSM16CF	RRSM16A3C
M18 × 1.5	OR15.54X2.62X	OR15.54X2.62VITX	24.8	2.1	RRSM18CF	RRSM18A3C
M22 × 1.5	OR19.3X2.2X	OR19.3X2.2VITX	27.8	1.8	RRSM22CF	RRSM22A3C
M27 × 2	OR23X3X	OR23X3VITX	32.8	2.3	RRSM27CF	RRSM27A3C
M33 × 2	OR29.2X3X	OR29.2X3VITX	40.8	2.5	RRSM33CF	RRSM33A3C
M42 × 2	OR37.69X3.53X	OR37.69X3.53VITX	50.8	2.6	RRSM42CF	RRSM42A3C
M48 × 2	OR43.69X3X	OR43.69X3VITX	55.8	2.3	RRSM48CF	RRSM48A3C

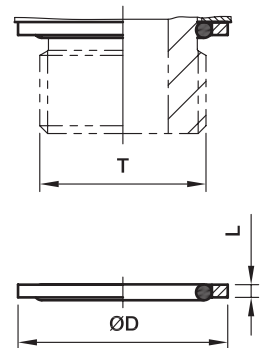
Types with BSPP thread: WEE-R, TEE-R, LEE-R, VEE-R

Thread T	O-ring NBR	O-ring FKM	D	L	Order code Retaining ring	
					CF	A3C
G 1/8 A	OR8X1.88X	OR8X1.88VITX	14.8	1.4	RRS1/8CF	RRS1/8A3C
G 1/4 A	OR10.77X2.62X	OR10.77X2.62VITX	19.8	1.9	RRS1/4CF	RRS1/4A3C
G 3/8 A	OR13.94X2.62X	OR13.94X2.62VITX	22.8	2.0	RRS3/8CF	RRS3/8A3C
G 1/2 A	OR18X3.15X	OR18X3.15VITX	27.8	2.6	RRS1/2CF	RRS1/2A3C
G 3/4 A	OR23X3X	OR23X3VITX	32.8	2.5	RRS3/4CF	RRS3/4A3C
G 1 A	OR29.74X3.53X	OR29.74X3.53VITX	40.8	2.5	RRS1CF	RRS1A3C
G 1 1/4 A	OR37.69X3.53X	OR37.69X3.53VITX	50.8	2.6	RRS1 1/4CF	RRS1 1/4A3C
G 1 1/2 A	OR44.04X3.53X	OR44.04X3.53VITX	55.8	2.6	RRS1 1/2CF	RRS1 1/2A3C

OR O-rings and retaining rings for stainless steel male stud ends

Adjustable metric thread – O-ring + retaining ring

Adjustable BSPP thread – O-ring + retaining ring (ISO 1179)



Types with metric thread: WEE-M, TEE-M, LEE-M, VEE-M

Thread T	O-ring FKM	O-ring NBR	D	L	Order code Retaining ring Stainless Steel
M10 × 1	OR8X1.5VITX	OR8X1.5X	14.8	1.0	RRM10X1SS
M12 × 1.5	OR9.25X1.78VITX	OR9.25X1.78X	17.8	1.3	RRM12X1.5SS
M14 × 1.5	OR11X2VITX	OR11X2X	19.8	1.3	RRM14X1.5SS
M16 × 1.5	OR13.4X2.1VITX	OR13.4X2.1X	21.8	1.5	RRM16X1.5SS
M18 × 1.5	OR15.54X2.62VITX	OR15.54X2.62X	23.8	2.0	RRM18X1.5SS
M22 × 1.5	OR18.77X1.78VITX	OR18.77X1.78X	27.8	1.3	RRM22X1.5SS
M27 × 2	OR23.47X2.62VITX	OR23.47X2.62X	32.8	2.0	RRM27X2SS
M33 × 2	OR29.7X2.8VITX	OR29.7X2.8X	39.8	2.0	RRM33X2SS
M42 × 2	OR37.7X2.62VITX	OR37.7X2.62X	49.8	2.0	RRM42X2SS
M48 × 2	OR44.12X2.62VITX	OR44.12X2.62X	55.0	2.0	RRM48X2SS

Types with parallel thread: WEE-R, TEE-R, LEE-R, VEE-R

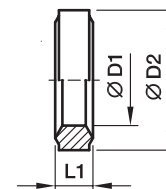
Thread T	O-ring FKM	O-ring NBR	D	L	Order code Retaining ring Stainless Steel
G 1/8 A	OR8X1.88VITX	OR8X1.88X	15.0	1.4	8207SS1/8
G 1/4 A	OR10.77X2.62VITX	OR10.77X2.62X	19.5	1.9	8207SS1/4A
G 3/8 A	OR13.94X2.62VITX	OR13.94X2.62X	23.5	1.9	8207SS3/8A
G 1/2 A	OR17.96X2.62VITX	OR17.96X2.62X	28.5	1.9	8207SS1/2
G 3/4 A	OR23.47X2.62VITX	OR23.47X2.62X	34.5	1.9	8207SS3/4
G 1 A	OR29.74X3.53VITX	OR29.74X3.53X	43.5	2.6	8207SS1A
G 1 1/4 A	OR37.69X3.53VITX	OR37.69X3.53X	52.5	2.6	8207SS1 1/4
G 1 1/2 A	OR44.04X3.53VITX	OR44.04X3.53X	60.0	2.6	8207SS1 1/2

OR O-Rings for banjo fittings WH/TH

For WH / TH	For WH / TH	O-ring NBR	O-ring FKM
06LM/LR		OR9.3X1.5X	OR9.3X1.5VITX
08LM/LR	06SM/SR	OR12.5X1.5X	OR12.5X1.5VITX
10LM/LR	08SM/SR	OR12.5X1.5X	OR12.5X1.5VITX
12LM/LR	10SM/SR	OR16X1.5X	OR16X1.5VITX
	12SR	OR16X1.5X	OR16X1.5VITX
15LM	12SM	OR18X1.5X	OR18X1.5VITX
15LR	14SM/SR	OR20X1.5X	OR20X1.5VITX
18LM/LR	16SM/SR	OR20X1.5X	OR20X1.5VITX
22LM/LR	20SM/SR	OR25X2X	OR25X2VITX
28LM/LR	25SM/SR	OR33X2.5X	OR33X2.5VITX
35LM/LR	30SM/SR	OR41X2.5X	OR41X2.5VITX
42LM/LR	38SM/SR	OR46X3X	OR46X3VITX

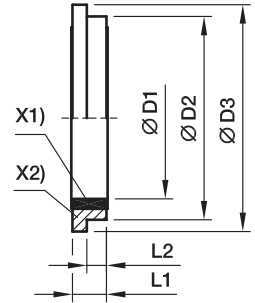
DKI Sealing ring for pressure gauge connectors

Female thread	D1	D2	L1	Weight g/1 piece	Order code	
					Steel CF	Stainless Steel 71
G 1/4 A	6	11.3	4.5	2.5	DKI1/4CFX	DKI1/471X
G 1/2 A	12	18.5	5.0	5.0	DKI1/2CFX	DKI1/271X



KDS Soft sealing ring for banjo fittings WH/TH from steel

for small and wide spot faces of ports

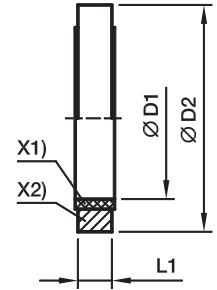


X1) NBR sealing
X2) Supporting-ring (Steel)

For WH and TH	For thread		D1	D2	D3	L1	L2	Weight g/1 piece	Order code Steel/NBR	Order code Steel/FKM
06LM/LRKDS	M10×1	G 1/8 A	10.3	14.9	16.0	2.5	1.1	2	KDS10A3CX	KDS10VITA3CX
06SM/08LMKDS	M12×1.5		12.3	17.0	18.0	3.0	1.6	2	KDS12A3CX	KDS12VITA3CX
06SRKDS	M14×1.5	G 1/4 A	14.3	18.9	20.0	3.0	1.6	2	KDS14A3CX	KDS14VITA3CX
08LR/SM/SRKDS	M14×1.5	G 1/4 A	14.3	18.9	20.0	3.0	1.6	2	KDS14A3CX	KDS14VITA3CX
10LM/LRKDS	M14×1.5	G 1/4 A	14.3	18.9	20.0	3.0	1.6	2	KDS14A3CX	KDS14VITA3CX
10SM/SRKDS	M16×1.5	G 3/8 A	17.0	21.9	24.0	3.0	2.1	3	KDS16A3CX	KDS16VITA3CX
12LM/LR/SRKDS	M16×1.5	G 3/8 A	17.0	21.9	24.0	3.0	2.1	3	KDS16A3CX	KDS16VITA3CX
12SM/15LMKDS	M18×1.5		18.3	23.9	23.9	3.0		4	KDS18A3CX	KDS18VITA3CX
15LRKDS	M22×1.5	G 1/2 A	22.3	26.9	30.0	4.5	2.6	7	KDS22A3CX	KDS22VITA3CX
16SM/SRKDS	M22×1.5	G 1/2 A	22.3	26.9	30.0	4.5	2.6	7	KDS22A3CX	KDS22VITA3CX
18LM/LRKDS	M22×1.5	G 1/2 A	22.3	26.9	30.0	4.5	2.6	7	KDS22A3CX	KDS22VITA3CX
22LMKDS	M26×1.5		26.3	31.9	35.0	3.5	2.6	7	KDS26A3CX	KDS26VITA3CX
20SM/SRKDS	M27×2	G 3/4 A	27.3	32.9	38.0	3.5	2.6	8	KDS27A3CX	KDS27VITA3CX
22LRKDS	M27×2	G 3/4 A	27.3	32.9	38.0	3.5	2.6	8	KDS27A3CX	KDS27VITA3CX
25SM/SRKDS	M33×2	G 1 A	33.6	39.9	42.0	3.5	2.6	10	KDS33A3CX	KDS33VITA3CX
28LM/LRKDS	M33×2	G 1 A	33.6	39.9	42.0	3.5	2.6	10	KDS33A3CX	KDS33VITA3CX
30SM/SRKDS	M42×2	G 1 1/4 A	42.4	49.9	49.9	3.5		12	KDS42A3CX	KDS42VITA3CX
35LM/LRKDS	M42×2	G 1 1/4 A	42.4	49.9	49.9	3.5		12	KDS42A3CX	KDS42VITA3CX
38SM/SRKDS	M48×2	G 1 1/2 A	48.4	55.9	60.0	3.5	2.6	16	KDS48A3CX	KDS48VITA3CX
42LM/LRKDS	M48×2	G 1 1/2 A	48.4	55.9	60.0	3.5	2.6	16	KDS48A3CX	KDS48VITA3CX

KD Soft sealing ring for banjo fittings WH/TH from stainless steel

for wide spot faces of ports

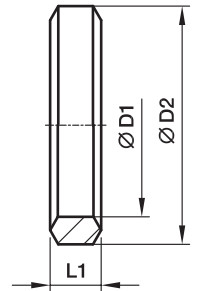


X1) PTFE sealing
X2) Supporting-ring (Stainless Steel)

For WH and TH	For thread	D1	D2	L1	Weight g/1 piece	Order code
06LRKD71	G 1/8 A	10.0	17.0	2.5	2	KD1/871
08LR/06SRKD71	G 1/4 A	13.5	22.0	3.0	4	KD1/471
10LR/08SRKD71	G 1/4 A	13.5	22.0	3.0	4	KD1/471
12LR/10SRKD71	G 3/8 S	17.1	27.0	3.0	6	KD3/871
12SRKD71	G 3/8 A	17.1	27.0	3.0	6	KD3/871
15LR/14SRKD71	G 1/2 A	21.4	32.0	4.5	12	KD1/271
18LR/16SRKD71	G 1/2 A	21.4	32.0	4.5	12	KD1/271
22LR/20SRKD71	G 3/4 A	26.8	41.0	3.5	17	KD3/471
28LR/25SRKD71	G 1 A	33.5	46.0	3.5	17	KD171
35LR/30SRKD71	G 1 1/4 A	42.4	57.0	3.5	26	KD11/471
42LR/38SRKD71	G 1 1/2 A	48.4	64.0	3.5	35	KD11/271
06LMKD71	M 10×1	10.3	17.0	2.5	2	KD1071
08LM/06SMKD71	M 12×1.5	12.3	22.0	3.0	5	KD1271
10LM/08SMKD71	M 14×1.5	14.3	22.5	3.0	5	KD1471
12LM/10SMKD71	M 16×1.5	16.4	27.0	3.0	9	KD1671
15LM/12SMKD71	M 18×1.5	18.4	29.0	3.0	9	KD1871
14SMKD71	M 20×1.5	20.4	32.0	3.0	9	KD2071
18LM/16SMKD71	M 22×1.5	22.4	32.0	4.5	12	KD2271
22LMKD71	M 26×1.5	26.4	41.0	3.5	18	KD2671
20SMKD71	M 27×2	27.4	41.0	3.5	18	KD2771
28LM/25SMKD71	M 33×2	33.5	46.0	3.5	17	KD171
35LM/30SMKD71	M 42×2	42.4	57.0	3.5	26	KD11/471
42LM/38SMKD71	M 48×2	48.4	64.0	3.5	35	KD11/271

DKAZ Sealing ring

for low pressure banjos DSVW

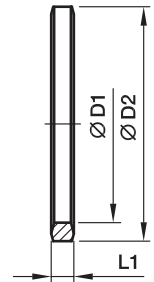


For DSVW		Metric thread parallel	D1	D2	L1	Weight g/1 piece	Order code	
							Steel CF	Steel A3C
06LM		M10×1	10.1	14	3.2	2	DKAZ10CFX	DKAZ10A3CX
08LM	06SM	M12×1.5	12.1	17	4.2	3	DKAZ12CFX	DKAZ12A3CX
10LM	08SM	M14×1.5	14.1	19	4.5	4	DKAZ14CFX	DKAZ14A3CX
12LM	10SM	M16×1.5	16.1	21	4.5	4	DKAZ16CFX	DKAZ16A3CX
15LM	12SM	M18×1.5	18.1	23	4.5	5	DKAZ18CFX	DKAZ18A3CX
	14SM	M20×1.5	20.1	25	4.5	5	DKAZ20CFX	DKAZ20A3CX
18LM	16SM	M22×1.5	22.1	27	4.5	6	DKAZ22CFX	DKAZ22A3CX
22LM		M26×1.5	26.1	31	4.5	7	DKAZ26CFX	DKAZ26A3CX
		M27×2	27.1	32	5.0	8	DKAZ27CFX	DKAZ27A3CX
28LM	20SM	M33×2	33.1	39	6.0	15	DKAZ33CFX	DKAZ33A3CX
35LM	30SM	M42×2	42.1	49	6.5	22	DKAZ11/4CFX	DKAZ11/4A3CX
42LM	38SM	M48×2	48.1	55	6.5	25	DKAZ11/2CFX	DKAZ11/2A3CX

For DSVW		BSPP thread parallel	D1	D2	L1	Weight g/1 piece	Order code	
							Steel CF	Steel A3C
06LR		G1/8A	9.8	14	3.2	2	DKAZ1/8CFX	DKAZ1/8A3CX
08LR/10LR	06SR/08SR	G1/4A	13.3	18	4.5	4	DKAZ1/4CFX	DKAZ1/4A3CX
12LR	10SR/12SR	G3/8A	16.8	22	4.5	5	DKAZ3/8CFX	DKAZ3/8A3CX
15LR/18LR	14SR/16SR	G1/2A	21.1	26	5.0	6	DKAZ1/2CFX	DKAZ1/2A3CX
22LR	20SR	G3/4A	26.6	32	5.0	11	DKAZ3/4CFX	DKAZ3/4A3CX
28LR	25SR	G1A	33.4	39	6.0	14	DKAZ1CFX	DKAZ1A3CX
35LR	30SR	G11/4A	42.1	49	6.5	22	DKAZ11/4CFX	DKAZ11/4A3CX
42LR	38SR	G11/2A	48.1	55	6.5	25	DKAZ11/2CFX	DKAZ11/2A3CX

DKA Sealing ring

for banjo fittings WH/TH and SWVE



WH/TH		For: SWVE		BSPB thread	D1	D2	L1	Weight g/1 piece	Steel CF	Order code Steel A3C	Stainless Steel 71
06LR		04/06/08-LLR	06LR	G 1/8 A	9.8	14	2.5	1	DKA1/8CFX	DKA1/8A3CX	DKA1/871X
08LR	06SR	08LR	06SR	G 1/4 A	13.3	18	3.0	3	DKA1/4CFX	DKA1/4A3CX	DKA1/471X
10LR	08SR	10LR	08SR	G 1/4 A	13.3	18	3.0	3	DKA1/4CFX	DKA1/4A3CX	DKA1/471X
12LR	10SR	12LR	10SR	G 3/8 A	16.8	22	3.0	3	DKA3/8CFX	DKA3/8A3CX	DKA3/871X
	12SR		12SR	G 3/8 A	16.8	22	3.0	3	DKA3/8CFX	DKA3/8A3CX	DKA3/871X
		15/18LR	14/16SR	G 1/2 A	21.1	26	3.0	4	DKA1/2CFX	DKA1/2A3CX	
15LR	14SR			G 1/2 A	21.1	26	4.5	6	DKA1/2X4.5CFX	DKA1/2X4.5A3CX	DKA1/2X4.571X
18LR	16SR			G 1/2 A	21.1	26	4.5	6	DKA1/2X4.5CFX	DKA1/2X4.5A3CX	DKA1/2X4.571X
22LR	20SR	22LR	20SR	G 3/4 A	26.6	32	3.5	6	DKA3/4CFX	DKA3/4A3CX	DKA3/471X
28LR	25SR			G 1 A	33.4	39	3.5	8	DKA1CFX	DKA1A3CX	DKA171X
35LR	30SR			G 1 1/4 A	42.1	49	3.5	12	DKA11/4CFX	DKA11/4A3CX	DKA11/471X
42LR	38SR			G 1 1/2 A	48.1	55	3.5	15	DKA11/2CFX	DKA11/2A3CX	DKA11/271X

WH/TH		For: SWVE		Male stud metric thread	D1	D2	L1	Weight g/1 piece	Steel CF	Order code Steel A3C	Stainless Steel 71
06LM		04LLM	06LM	M 8×1	8.1	12	2.5	1	DKA08CFX	DKA08A3CX	
08LM	06SM	06/08LLM	06SM	M 10 ×1	10.1	14	3.0	1	DKA10CFX	DKA10A3CX	DKA1071X
10LM	08SM	10LM	08SM	M 12×1.5	12.1	17	3.0	2	DKA12CFX	DKA12A3CX	DKA1271X
12LM	10SM	12LM	10SM	M 14×1.5	14.1	19	3.0	3	DKA14CFX	DKA14A3CX	DKA1471X
				M 16×1.5	16.1	21	3.0	3	DKA16CFX	DKA16A3CX	DKA1671X
15LM	12SM	15LM	12SM	M 18×1.5	18.1	23	3.0	3	DKA18CFX	DKA18A3CX	DKA1871X
	14SM		14-SM	M 20×1.5	20.1	25	3.0	4	DKA20CFX	DKA20A3CX	DKA2071X
		18LM	16SM	M 22×1.5	22.1	27	3.0	4	DKA22CFX	DKA22A3CX	
18LM	16SM			M 22×1.5	22.1	27	4.5	6	DKA22X4.5CFX	DKA22X4.5A3CX	DKA22X4.571X
			22LM	M 26×1.5	26.1	31	3.0	6	DKA26CFX	DKA26A3CX	
22LM		20SM	20SM	M 26×1.5	26.1	31	3.5	6	DKA26X3.5CFX	DKA26X3.5A3CX	DKA26X3.571X
				M 27×2	27.1	32	3.5	6	DKA27CFX	DKA27A3CX	DKA2771X
28LM	25SM			M 33×2	33.1	39	3.5	8	DKA33CFX	DKA33A3CX	DKA3371X
35LM	30SM			M 42×2	42.1	49	3.5	12	DKA11/4CFX	DKA11/4A3CX	DKA11/471X
42LM	38SM			M 48×2	48.1	55	3.5	15	DKA11/2CFX	DKA11/2A3CX	DKA11/271X